

Sign Up With The Specialists



**Chicago
Heights
Steel**

Steel Sign Posts

The sign of a specialist is a quality product. Our sign posts are rolled from superior rail steel—the steel that runs the railroads. For strength—from steel that supports the great weight of trains. For resiliency—from steel that makes a smooth ride by flexing without permanently bending. Posts combining durability and flexibility to stand above the competition.

Sign up with the specialists, and you'll find quality in every aspect of our steel sign posts—from production to delivery.

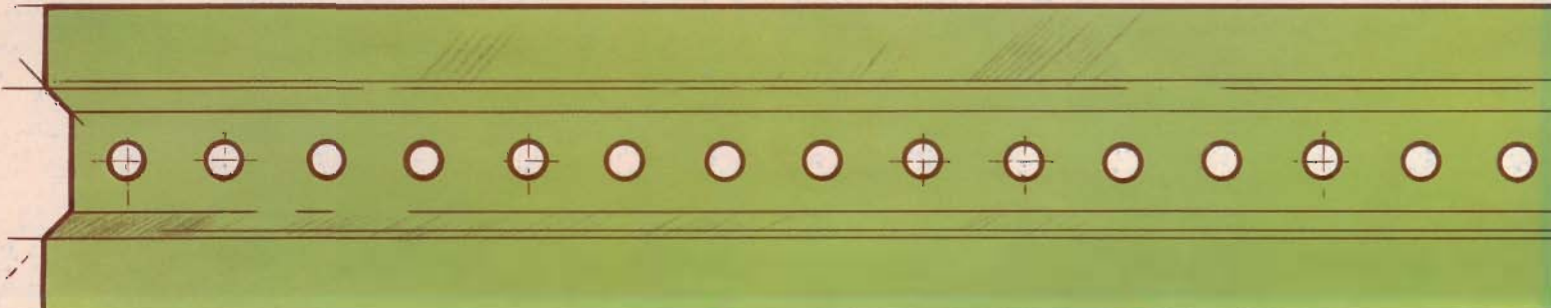
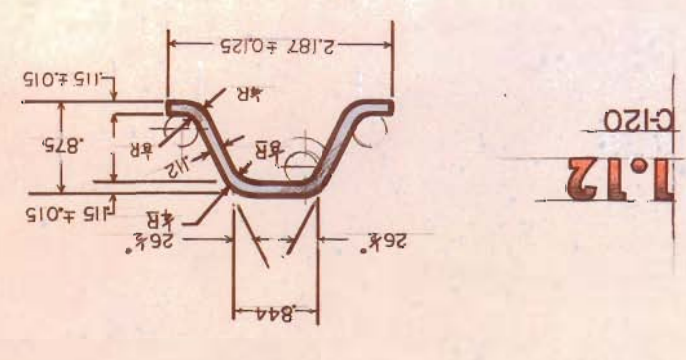
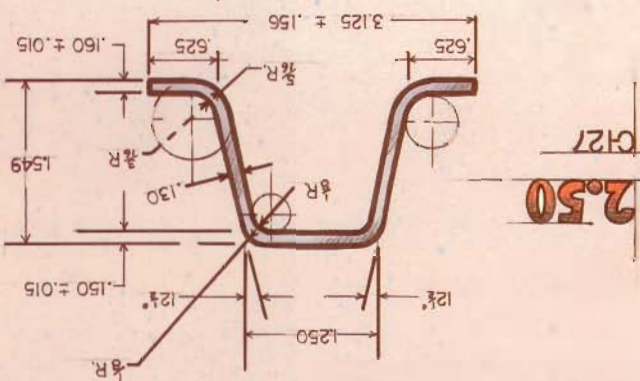
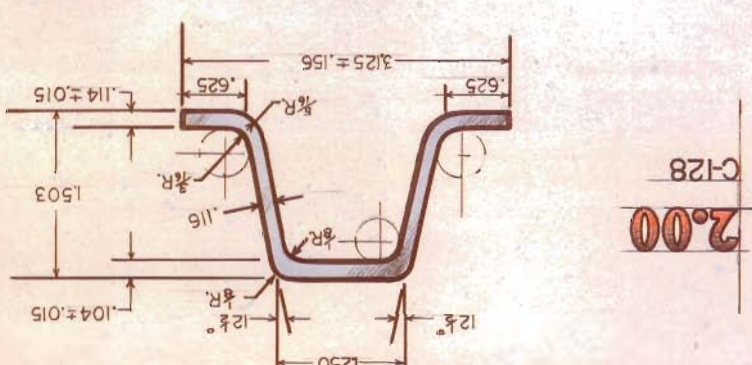
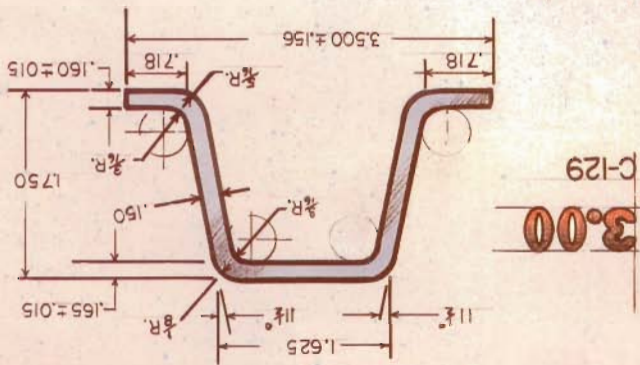
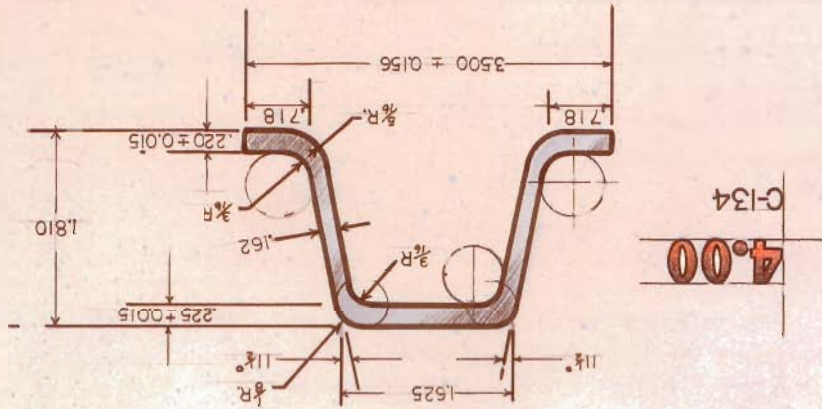
- **Steel** produced from hot-rolled rail steel 91 lbs./yard and above. Certified to ASTM A-499 Grade 60. 60,000 psi minimum yield strength/ 90,000 psi minimum tensile strength.
- **Punch holes** 3/8" diameter, on 1" centers, starting 1" from the top of post. Custom punching, tapering, various hole sizes, and welded anchor plates also available.
- **Finishes** baked-on green enamel, powder coat, or galvanized to ASTM specification 123, after fabrication is completed. Special colors available.
- **Weights:** 1.12, 2, 2.5, 3, and 4 lbs., with other weights available. Weights of 2 lbs. and above posts plus or minus 5% before punching.
- **Lengths:** 5-14 feet, with length tolerance of plus or minus 1". Custom lengths available.
- **Packaging:** 50-piece nested bundles. Custom packaging upon request.

**Watts: 1-800-424-4487
Local: 708-756-5662**

MEMBER



HIGHWAY STEEL, INC. HSI



Superior Strength and Finish